

M/TUG SAN FRANCESCO (EX-BOGAZICI-4)

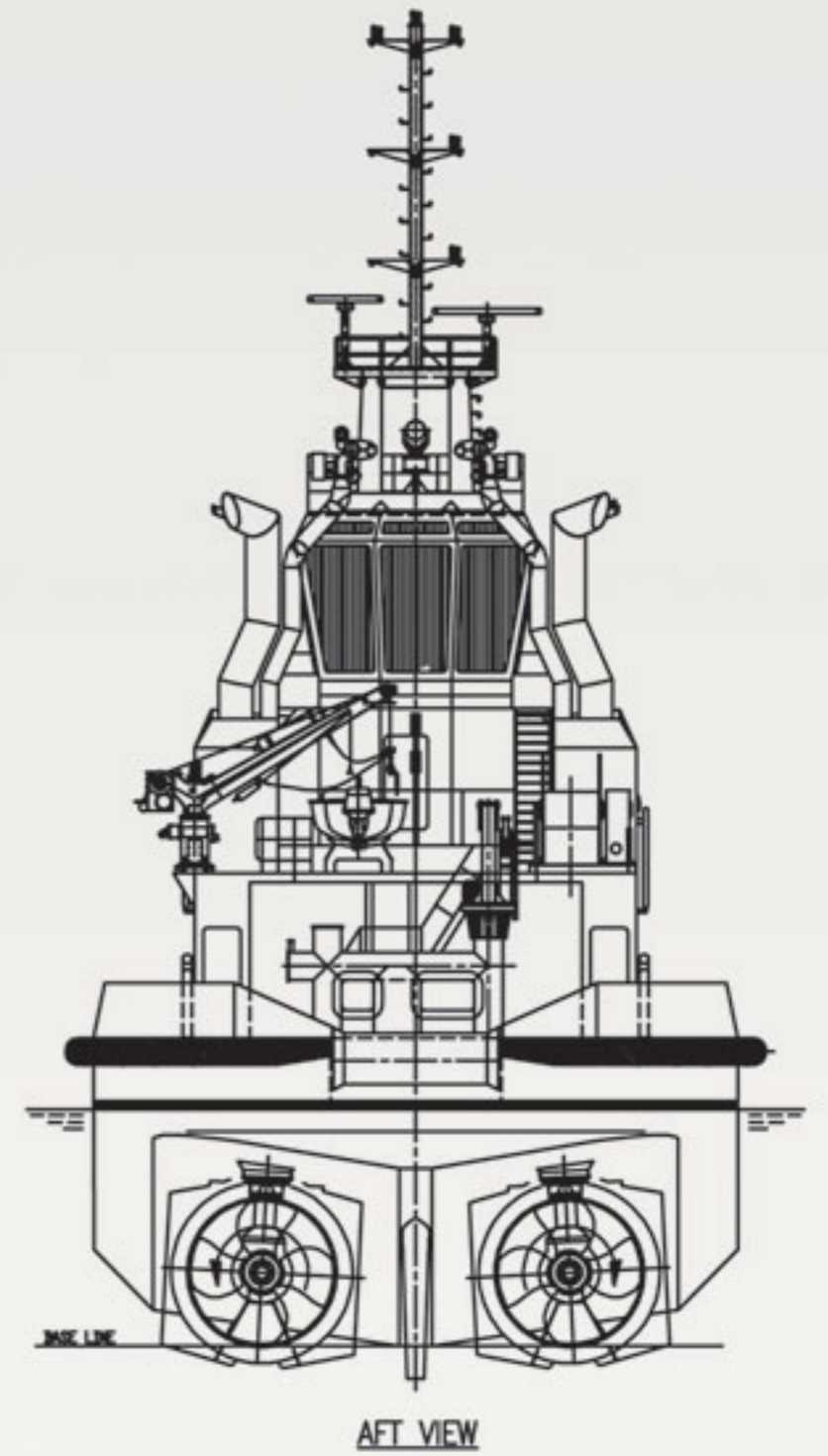
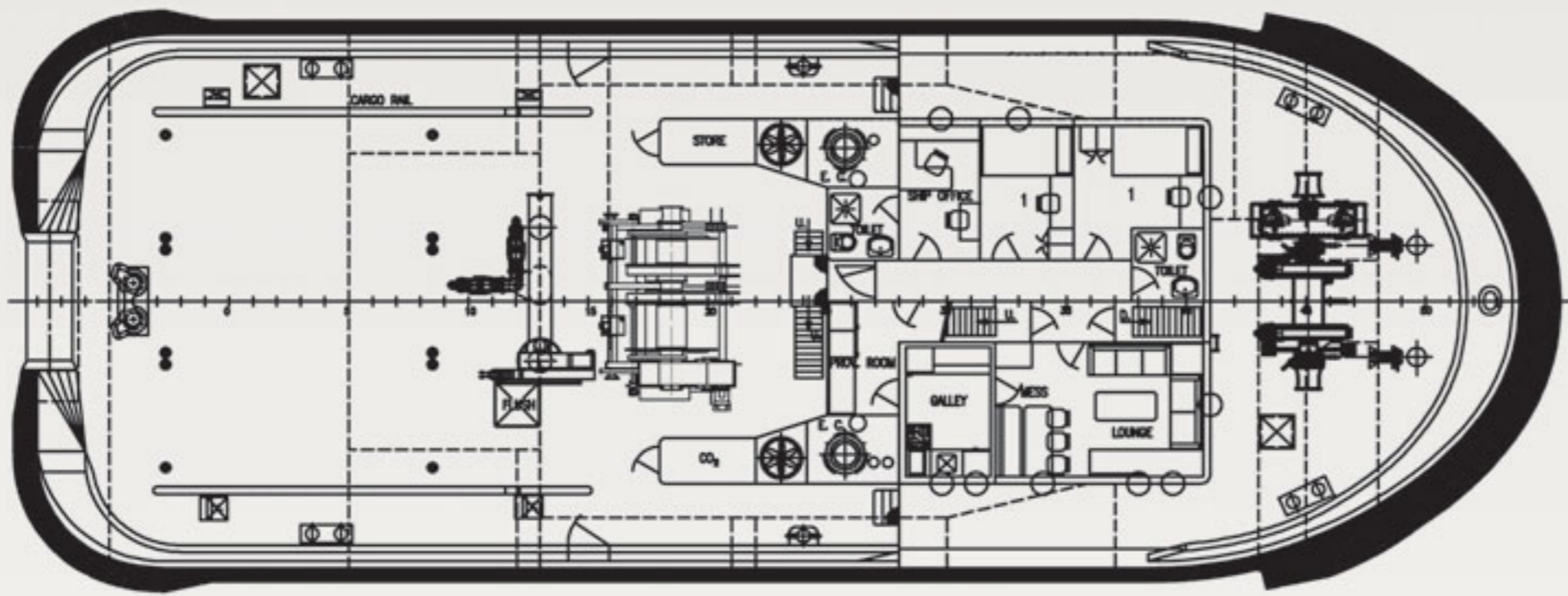
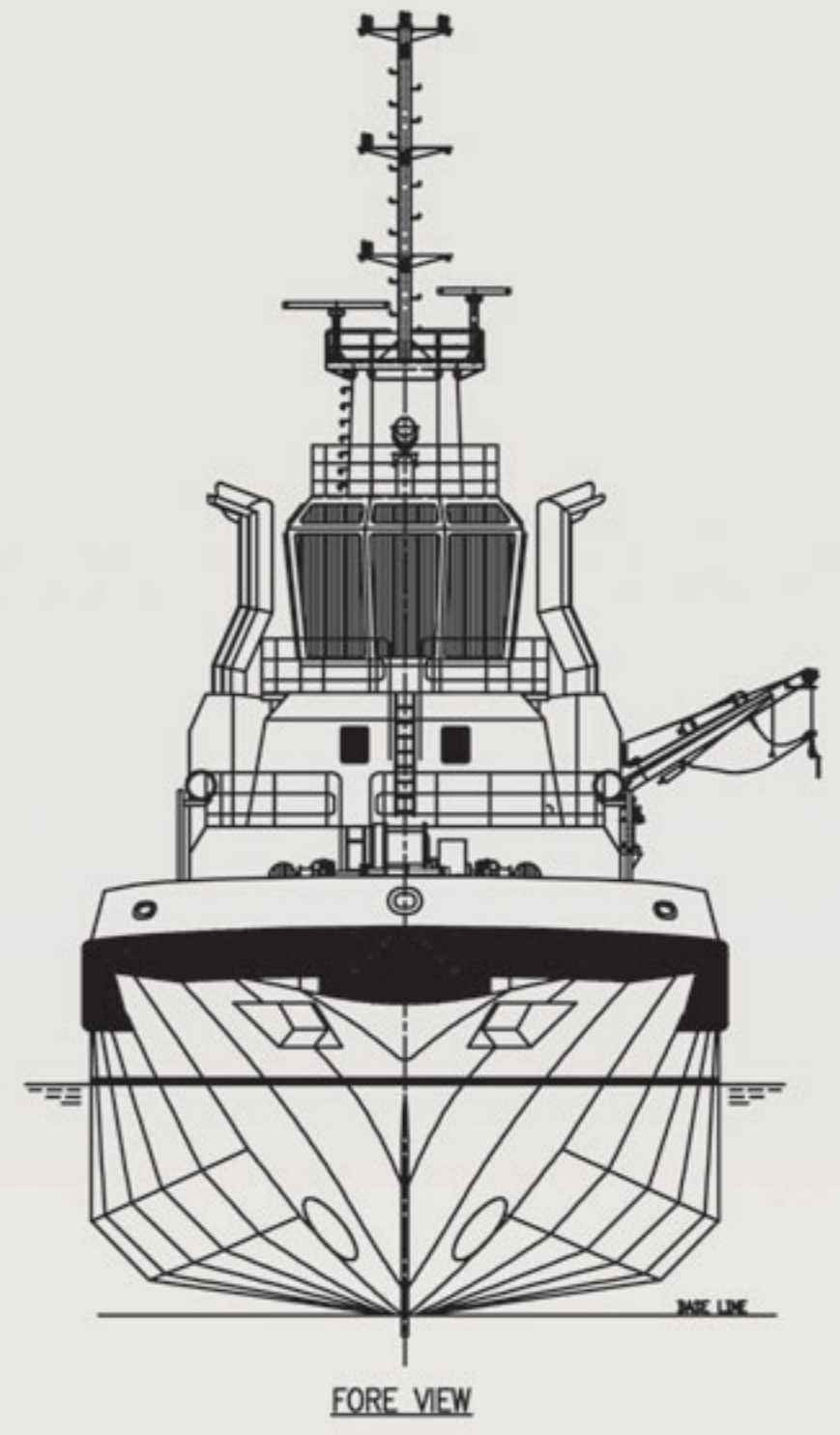
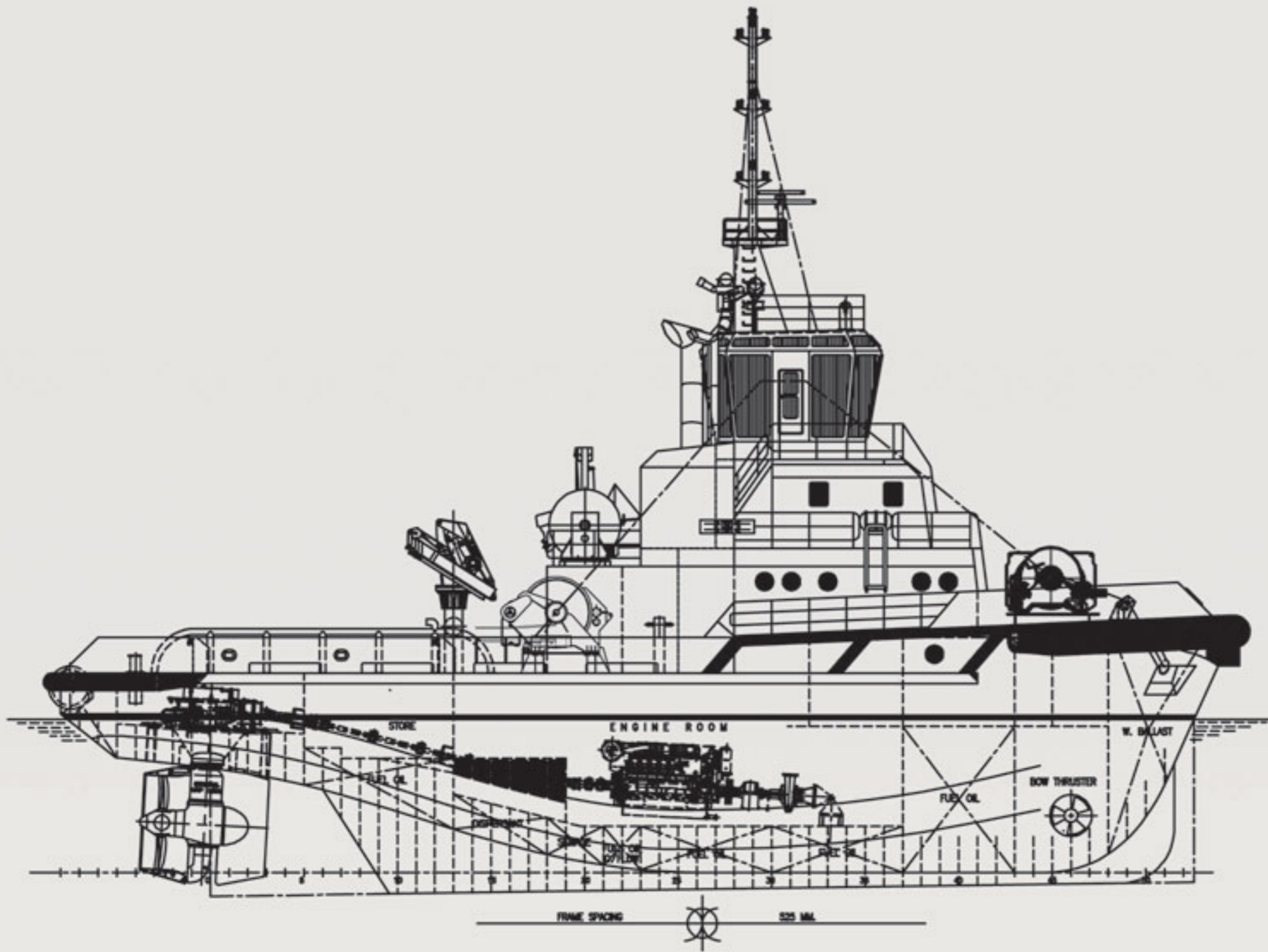
BOGAZICI SHIPPING



Principal Characteristics

Designer	: CintranaVal-Defcar / Spain
L.o.a.	: 32.50 m
L.b.p.	: 27.60 m
Breadth Moulded	: 11.70 m
Depth	: 5.60 m
Design Draft	: 4.30 m
Class Notations	: I + Hull, Escort Tug, Salvage Tug, Unrestricted Navigation, Fire Fighting Ship 1 / Water Spraying, + Mach Aut-Ums.
Services / Capabilities	: Berthing and unberthing of vessels at harbour premises, Pull and push during vessels mooring manoeuvrings, Escort services, Salvage services, Tandem Towing, Open sea and harbour Tug services from the stern, Fire Fighting Services, Oil recovery tanks, anti-oil pollution system, 3 x 20' container carrying
Navigation /Communication	: Unrestricted / Area A3
Complement (at sea / port)	: 10 / 6
Main Engine	: 2 x Caterpillar 3516B 2100 bkW, total 4200 bkW, 1600 rpm
Propulsion	: 2 x Schottel SRP 1515 CP
Diesel Generators	: 2 x 108 kW + 1x 367 kW
Bow Thruster	: 1 x Schottel STT 110 LK 150 kW
Speed	: 13 – 13.5 Knots
Bollard Pull Ahead	: 65+ tonnes
Bollard Pull Astern	: 60+ tonnes

M/TUG SAN FRANCESCO (EX-BOGAZICI-4)



MAIN PARTICULARS

LENGTH OVERALL	32.50	M.
LENGTH BETWEEN PERPENDICULARS	27.60	M.
MOULDED BREADTH	11.70	M.
DEPTH	5.60	M.
DESIGN DRAUGHT	4.30	M.
COMPLEMENT	10	

BOGAZICI / SHIPPING

BOĞAZIÇI DENİZCİLİK SANAYİ VE TİCARET A.Ş.
RIHTIM CAD. NEMLİZEDE SOK. NO:1/10 KADIKÖY 34716 İSTANBUL/TURKEY
PHONE:+90 (216) 414 37 84 FAX:+90 (216) 337 92 56

e-mail:info@bogazicishipping.com
www.bogazicishipping.com